

The FOREDE® Brand PSY Series monitors have the characteristics of adjustable flow, long range, multiple functions, small size, and good performance. They are ideal fire-fighting accessory products for conventional fire trucks, oil tankers, docks and other places .

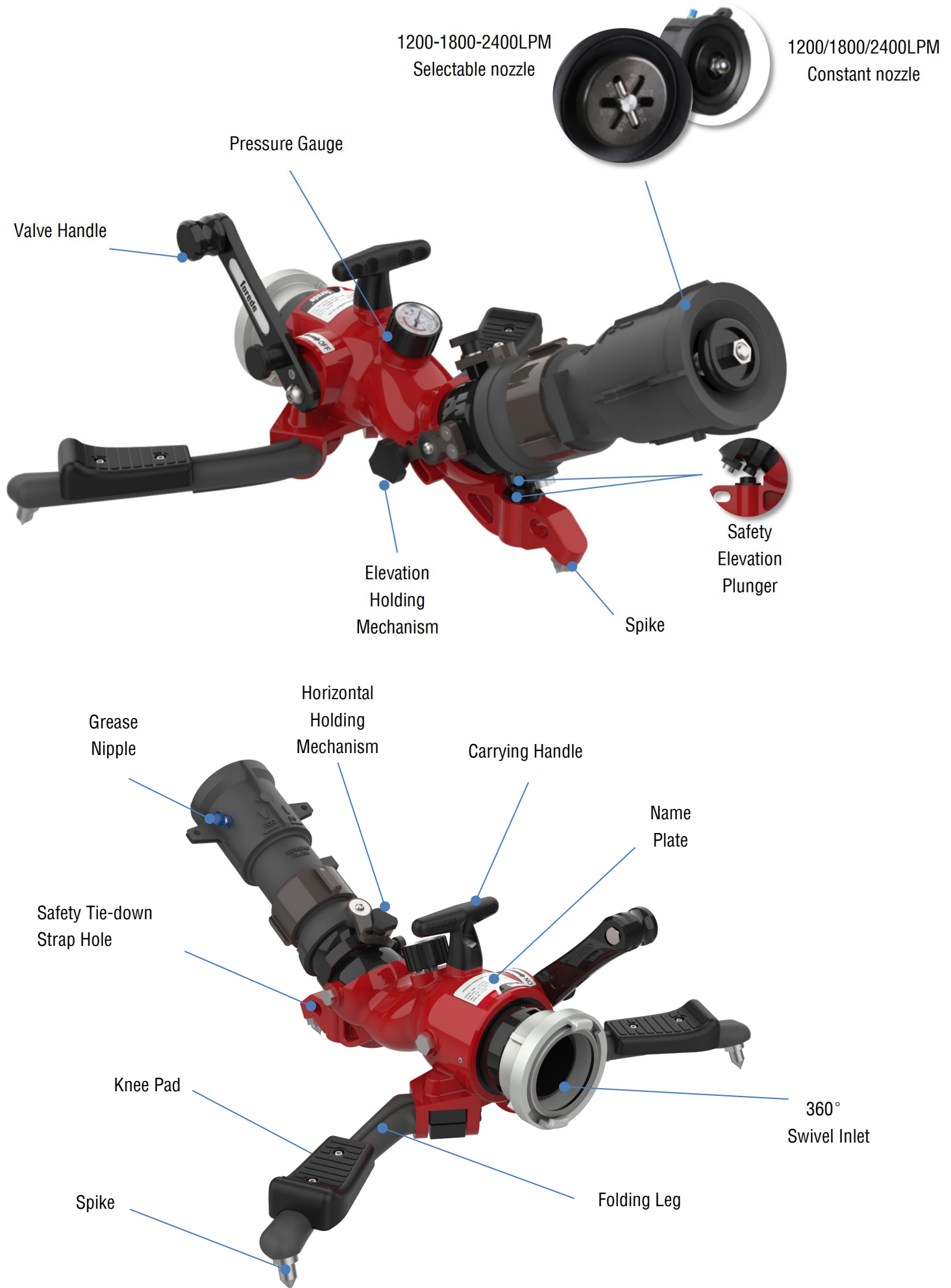
FEATURES

- Light corrosion resistant aluminum alloy construction
- Elevation stream range of 50°, from +20° to +70° (Unmanned +30° to +70°)
- Horizontal stream range of 40°, +/- 20° either side of centerline
- Spring-loaded forged aluminium folding legs with rubber knee pad
- Stainless steel spikes for extended resistance to wear
- Complete with safety tie-down strap reel
- Large handle for excellent portability
- Nozzle has a built-in stream sharper
- Available for straight stream and fog pattern
- Long service and easy repair
- Liquid-filled pressure gauge
- Flow rate from 1200 LPM up to 2400 LPM, optional
- Water Jetting Range: Max ≥65 meters
- Working Pressure: 8 bar (0.8MPa)
- Working Pressure Range: 6-12 bar (0.6-1.2MPa)
- Weight: 10.5kg
- Wooden Case Package: 11.5kg/62*37*40cm
- Color: Red standard

MAXIMUM FLOW
625 GPM @ 115 PSI
(2400 L/min @ 8 BAR)



Model	PSY20	PSY30	PSY40	PSY20-40	Material
Flow Rate	1200LPM (Constant Nozzle)	1800LPM (Constant Nozzle)	2400LPM (Constant Nozzle)	1200-1800-2400LPM (Selectable Nozzle)	Body: Hard Anodized Aluminum alloy Nozzle: Hard Anodized Aluminum alloy Valve: Aluminum Folding leg: Hard Anodized Aluminum Alloy Spikes: Stainless Steel
Working Pressure	0.8 MPa	0.8 MPa	0.8 MPa	0.8 MPa	
Water Jetting Range	≥ 53 meters	≥ 60 meters	≥ 65 meters	≥ 53-65 meters	
Max. Fog Angle	120°				
Outlet	2.5" NH Connection				
Inlet	2.5" All International Coupling available				





*Understand manual before use. Operation of this device without understanding the manual and receiving proper training is a misuse of this equipment.

*Risk of sliding increases at low elevation angles. To reduce risk of injury or death from sliding, test safety elevation plunger before using.

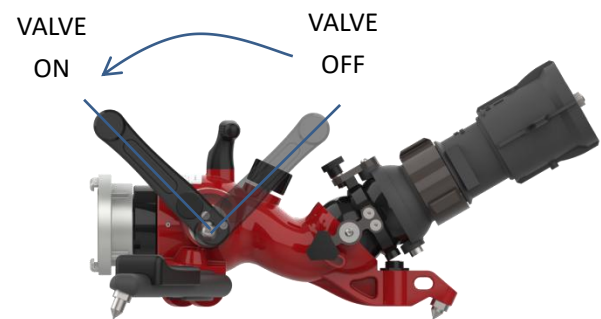
*This Instruction Manual is intended to familiarize firefighters and maintenance personnel with the operation, servicing, and safety procedures associated with the portable monitor. This manual should be kept available to all operating and maintenance personnel.

OPERATING & BRIEF INSTRUCTIONS

VALVE HANDLE OPERATION

The valve handle is locked in the closed position so that the Portable Monitor may be carried/moved without the valve inadvertently opening when water flow is not desired. To unlock the valve handle from the closed position:

WARNING: Sudden changes in valve position can cause pressure spikes (water hammer) and could lead to hose or pipe failure or an out of control monitor. Open and close the valve slowly to avoid water hammer.

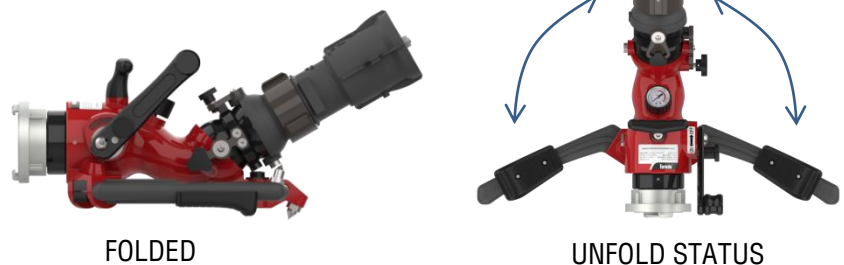


FOLDING LEG OPERATION

The Portable Monitor has two legs that fold for storage and unfold for operation. The legs are held in the folded and unfolded position by spring detents. To fold or unfold the legs:

1. Grasp the spike end of one leg and pivot it to the folded or unfolded position.
2. Repeat for the other leg.

WARNING: In the unfolded position, the legs provide a stable base for operation of the monitor. Lack of stability can cause an out of control monitor resulting in injury or death. Do not operate as a portable monitor with one or both legs in the folded position.



VEHICLE MOUNTING BRACKET(OPTIONAL PART)

The vehicle mounting bracket is for mounting the folded monitors. It's optional part, if needed, please do the specify when placing order.



SPIKES

The FOREDE® PSY-B Portable Monitor has 3 Stainless steel spikes on the legs and the base to resist sliding by digging into the surface the monitor is sitting on. The amount of sliding force these spikes can withstand depends upon the amount of downward and sideways force that is on the base and the hardness and texture of the surface the spikes are in contact with. At low elevation angles, it is difficult for these spikes to resist sliding. These spikes are essential to safe operation of the monitor and must be in contact with the ground at all times. Set the monitor on an even surface so that all three spikes contact the ground.



NOTICE: For stable operation all spikes must maintain contact with the ground. Lack of stability can cause an out of control monitor resulting in injury or death. Do not place the monitor on top of debris, objects, or uneven terrain that could keep any of the spikes from contacting the ground.

On hard slippery surfaces the spikes may provide little resistance to sliding. A sliding monitor may become out of control and may cause injury or death. To help increase resistance to sliding:

- Tie off the monitor (use Safety Tie-Down strap reel)
- Hook the legs on a stationary object
- Apply a person's weight to the monitor (refer to Knee pad)

WARNING: In the unfolded position, the legs provide a stable base for operation of the monitor. Lack of stability can cause an out of control monitor resulting in injury or death. Do not operate as a portable monitor with one or both legs in the folded position.

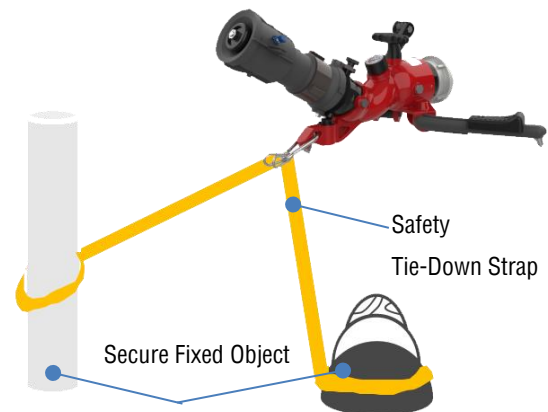
FULL TIME 360° SWIVEL INLET HOSE COUPLING

The FOREDE® PSY-B Portable Monitor has a full-time 360° swiveling inlet coupling so that when the hose is charged, any twist in the hose will minimize the lifting of the spikes off the ground. The monitor is equipped with three spikes to provide traction when flowing from the ground. For the spikes to provide traction they must remain in contact with the ground. Assure that the hose is not on top of anything that would cause the spikes to be lifted off the ground.



SAFETY TIE-DOWN STRAP

The safest method of restraining the monitor is to use a safety tie-down strap. It is inherently more reliable than other methods since it does not rely on traction or digging in of the spikes. It is also the safest method because even if the monitor slides, its travel is limited by the strap length. Permanently anchored from the factory is a safety strap system that comes with a reel and a safety hook attached to the end of the strap. The strap may be wrapped around an object, snapped back onto the strap itself, and pulled tight. Keep the entire length of the strap as close to the ground as possible.



WARNING: Personnel in the path of an out of control monitor have an increased risk of injury or death. Tying the monitor off to a secure object (such as pillars, stones, trees, etc) can limit the monitor's travel in the event of an out of control monitor. Always tie off the monitor when it is in use.

ELEVATION & HORIZONTAL STREAM RANGE

The FOREDE® PSY-B Portable Monitor elevation stream range total is 50°, from +20° to +70° (unman 30° to +70°), Horizontal stream range total is 40°, +/- 20° either side of centerline. When operating manually, act evenly on the nozzle.



AUTOMATIC, CONSTANT, SELECTABLE FLOW NOZZLES

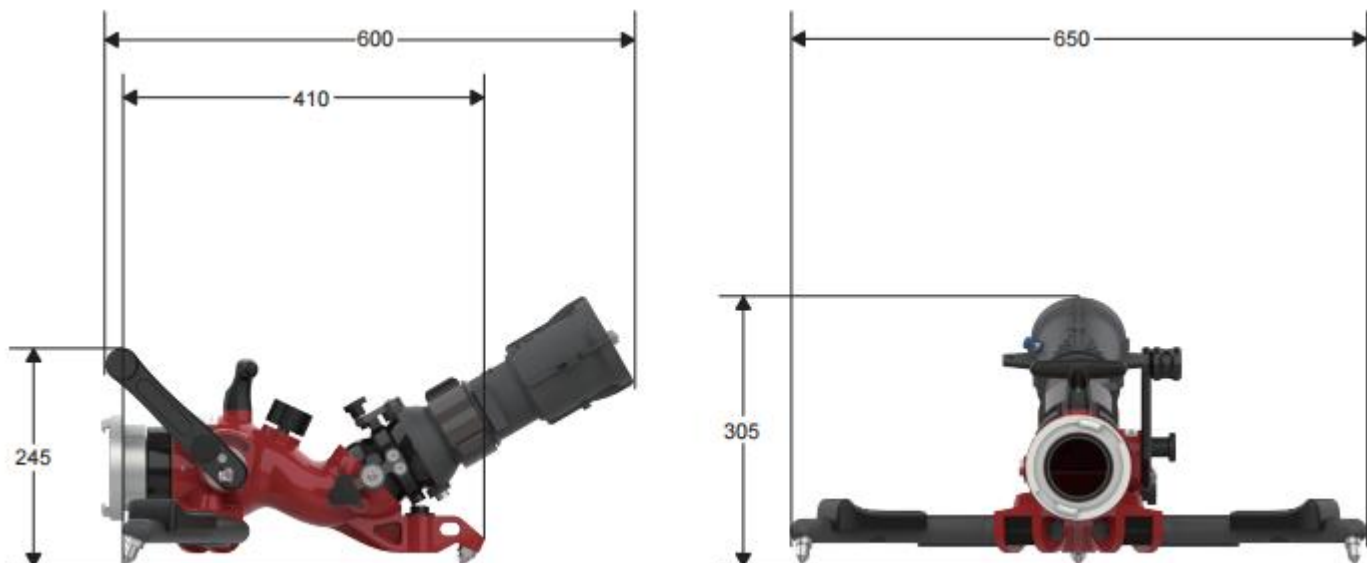
The FOREDE® PSY-B Portable Monitor could attached a variety of water/ water&foam nozzle.

This instruction main for Constant and selectable flow nozzle, if you have special requirements, Please view our website to contact our sales team for more info - www.forede.com

SELECTABLE FIRE NOZZLE	STACKED TIPS	FOAM NOZZLE	SELF-INDUCTING FOAM NOZZLE	Etc.
				

OVERALL DIMENSIONS

The FOREDE® PSY-B Portable Monitor small size, and good performance. It's an ideal fire-fighting accessory products for conventional fire trucks, oil tankers, docks and other places .



OPERATIONAL REQUIREMENTS & PRECAUTIONS

- ❖ The personnel operating the fire monitor must be trained in operation and be familiar with the relevant operation process.
- ❖ The inlet pressure of water shall not be higher than the working pressure of the monitor.
- ❖ Before using the fire monitor, all personnel in front of the muzzle should be evacuated to avoid danger.
- ❖ When manually operating the fire monitor, please take the handle to avoid danger.
- ❖ When operating, it should be jetted downwind as far as possible to increase the range.

MAINTENANCE

*The maintenance of fire monitors should be handled by dedicated personnel.

- ❖ The fire monitor should be kept clean. After use, the nozzle should be tilted to pour out the remaining liquid in the cavity, and the exterior should be cleaned with clean water and wiped off the water stains. Dual-purpose monitor(water/foam), the interior must be rinsed with clean water, and then the accumulated water must be released.
- ❖ The fire monitor should be maintained regularly, and all fasteners of the fire monitor should be inspected after use and every six months.
- ❖ The meshing part of the worm gear and other rotating parts should be filled with grease for half a year to ensure flexible rotation.
- ❖ All parts should be kept in good condition. If the fasteners are found to be loose and other accessories are damaged, they should be repaired in time.
- ❖ When not in use, cover it with a rain-proof cloth. The unit should be stored in a normal temperature, dry and non-corrosive place.
- ❖ When the working pressure of the fire monitor is found to be too high or the shooting range is short, check whether there is any blockage at the nozzle, and clear it in time.
- ❖ If there is leakage at each connection part of the fire monitor, check whether the seal is intact, and replace the seal in time if damaged.
- ❖ The rotating part of the fire monitor is not flexible, the operation is difficult, or the angle adjustment cannot reach the expected range, grease should be applied to the rotating part or the parts should be replaced in time.
- ❖ In cold areas, take measures to prevent cold and frost, such as drainage and heat preservation.
- ❖ When the fire monitor is used as the vehicle monitor of a fire truck, should be fixed to prevent bumps during driving and damage to the monitor parts.

ORDERING GUIDE

- Model Number
- Inlet Connection way, size and standard.
- Order Quantity
- Shipping/Transportation Way

***Other special requirements please contact FOREDE SALES TEAM.**

Tips: for more related products or other firefighting equipment, please forward to our website, www.forede.com